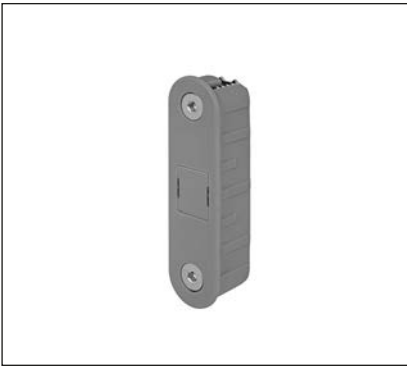


Alu-Touch - Striker for aluminium frame



Description

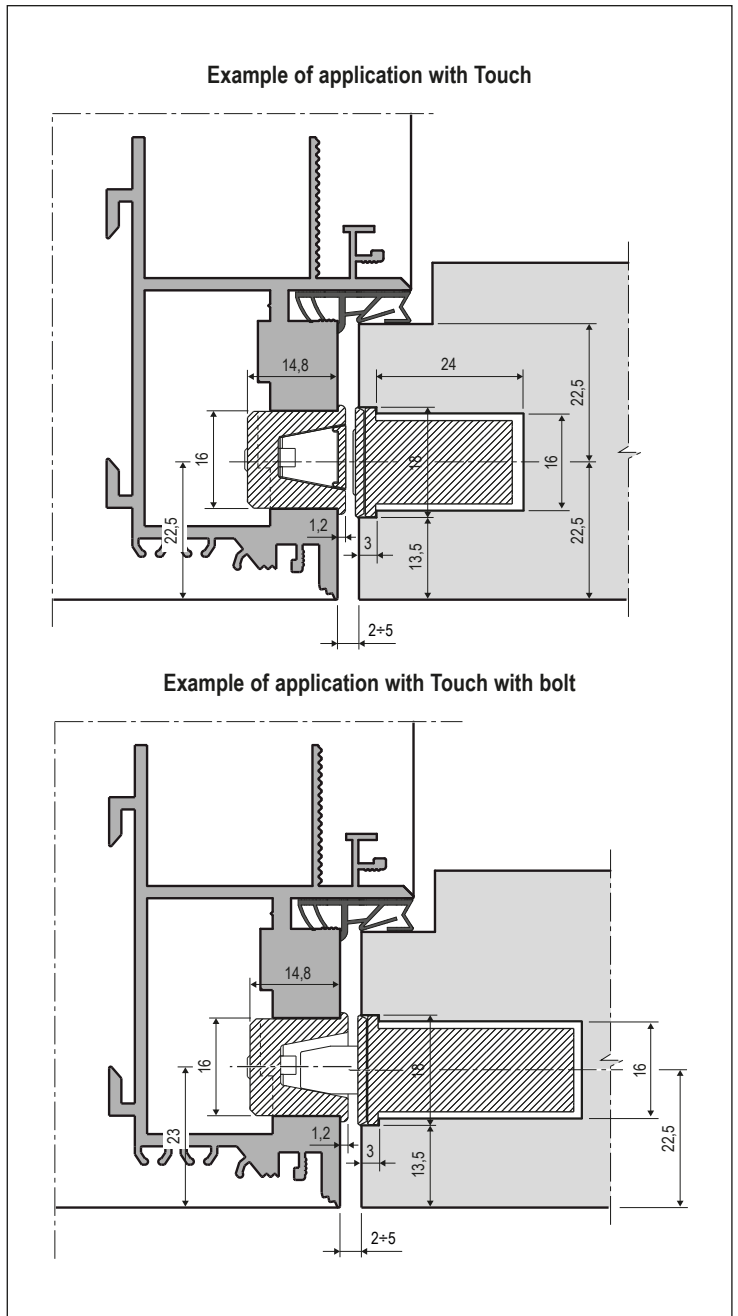
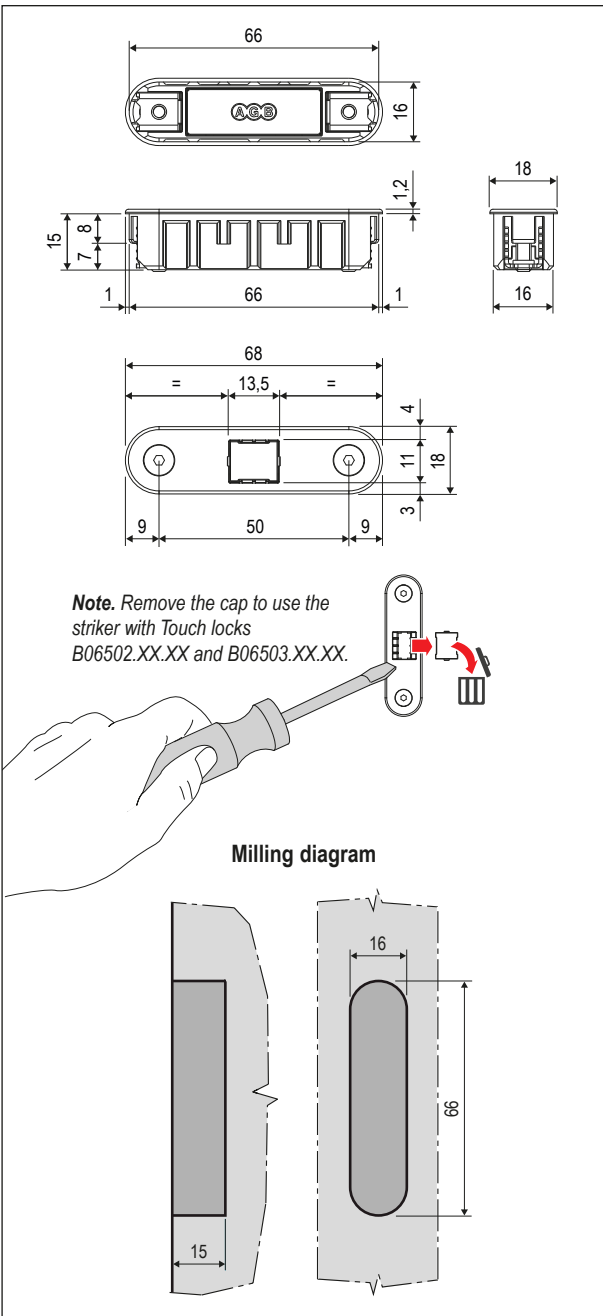
Magnetic striker in plastic material with round edges and patented fastening system. Alu-Touch is compatible with the milling of the Alutop XT striker.

Use

To be coupled with Touch and Touch with bolt installing it on the frame as indicated in the picture.

Fastening

Expansion fastening by using the 2,5 mm allen key.



Order Specifications

Article	
---------	--

B02404.30.XX

Note. Refer to the price list in force to check the availability of the finishes.